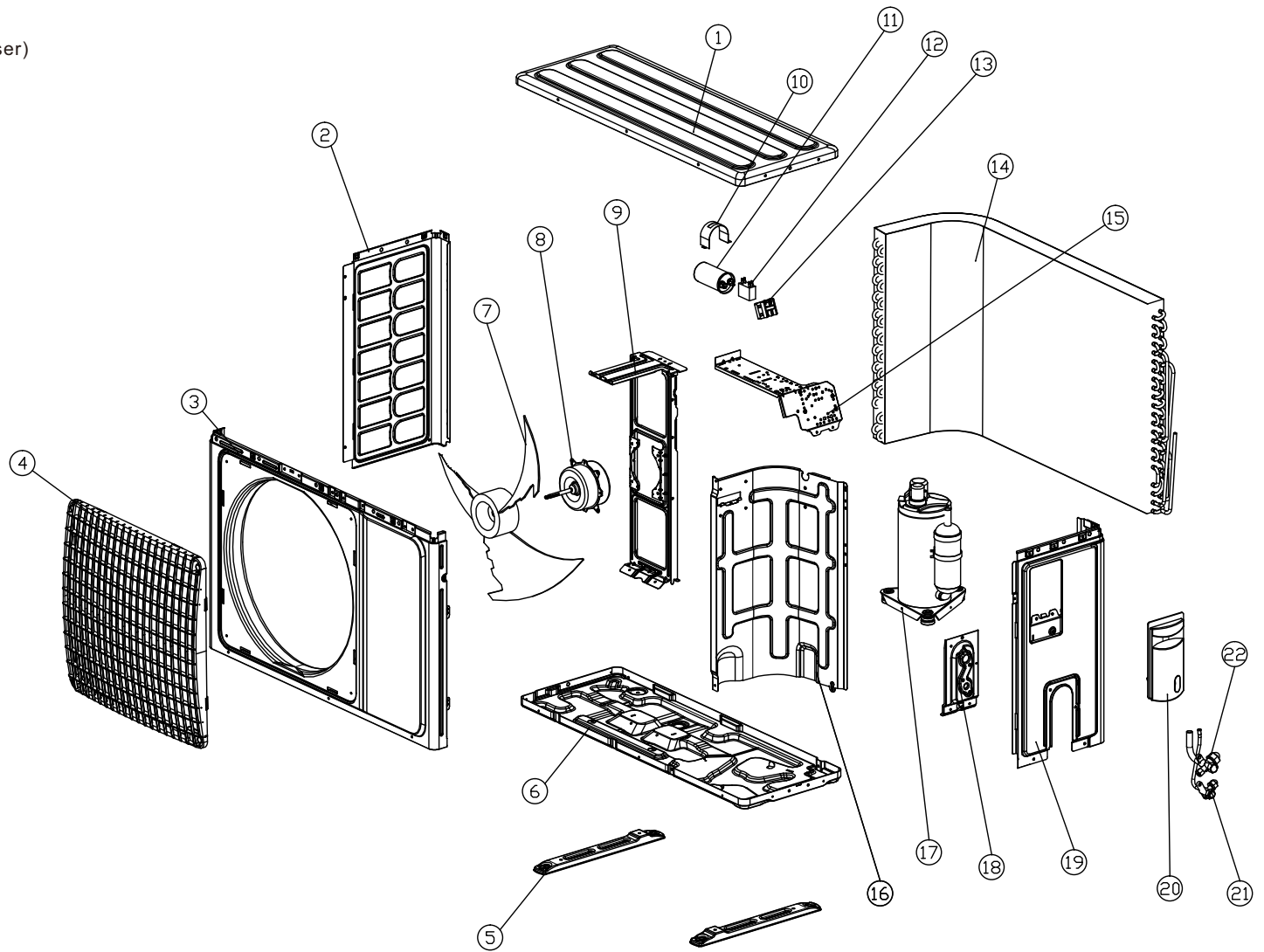




# COAIRO CD200 (Condenser)

## PART LIST

NO.	NAME MODEL	MATERIAL	QUANTITY
1	Cover	Galvanized sheet	2
2	Left side panel	Galvanized sheet	1
3	Front panel	Galvanized sheet	1
4	Into the style grid	Galvanized sheet	1
5	Bracket	Galvanized sheet	1
6	Chassis	Galvanized sheet	2
7	wind mill	PC	1
8	Motor	Galvanized sheet	1
9	Fan bracket	55UF 250V	1
10	Capacitor clip	Galvanized sheet	1
11	Compressor capacitor	25UF 250V	1
12	Fan capacitance	6UF 250V	1
13	Grille socket	Flame retardant ABS	1
14	Condenser	Components	1
15	Electronically controlled bracket	Galvanized sheet	1
16	Isolation board	Galvanized sheet	1
17	compressor	44B293A	1
18	Globe valve bracket	Galvanized sheet	1
19	Right side panel	Galvanized sheet	1
20	Protection box cover	ABS	1
21	DG10 globe valve	Components	1
22	DG4 globe valve	Components	1





# COAIRO CD200 (Dehumidifier)

## PART LIST

NO.	NAME MODEL	MATERIAL	QUANTITY
1	Handle	Components	2
2	Upper shell	Galvanized sheet	1
3	Cover	Galvanized sheet	1
4	Left side panel	Galvanized sheet	1
5	Filter left cover	Galvanized sheet	1
6	Door Latch	ABS	2
7	10 inch air inlet pipe seat	ABS	2
8	6 inch air inlet pipe seat	ABS	1
9	Inlet panel	Components	1
10	G4 filter	Components	1
11	Evaporator	Components	1
12	PCB	Components	1
13	capacitance	60UF	1
14	transformer	155V~24V	1
15	Electric control box	Galvanized sheet	1
16	Backplane	Galvanized sheet	1
17	compressor	39A143A	1
18	Condenser	Components	1
19	Wind deflector	Galvanized sheet	1
20	Fan	Components	1
21	Motor bracket	Galvanized sheet	4
22	Shui Pan	ABS	1
23	Chassis	Galvanized sheet	1
24	Foot pad	Components	4
25	Right side panel	Galvanized sheet	1
26	Filter right cover	Galvanized sheet	1

